

Description

The Model 2001 is a hand held set-up interface that allows quick programming changes to the microprocessor based Aaliant 6500 Series Magnetic Flowmeters. RS 485 is used to communicate from the Model 2001 to the magnetic flowmeter. The programming is via a four-position membrane keypad.

Programmable functions include:

- One of the three standard flow ranges
- Sample rate (damping) from 1.0 to 10.0 seconds
- Low flow cut off up to 20% of full scale flow
- Adjustment of the 4.0 mADC output

Technical Specifications

Functional Specifications

Power Supply	24 VDC - Supplied by the flowmeter
Temperature	Operating: 32° F to 130° F (0° C to 55° C) Storage: 32° F to 158° F (0° C to 70° C)
Communications	Via RS 485

Physical Specifications

Display	Two-line LCD display 16 alphanumeric characters per line Membrane 4 position keypad
Mounting	Hand-held
Wiring	Comes with 6 feet (1.8m) of 4-wire shielded Belden cable #9842 or #8132 10 position terminal connector
Carrying Case	Included
Enclosure	Nema 4X
Weight	2 lbs. (0.9 kg)



Figure 1. Model 2001 Set-Up Interface

Ordering Information

Part #	Description
60523G319	Model 2001 Set-Up Interface

Dimensions

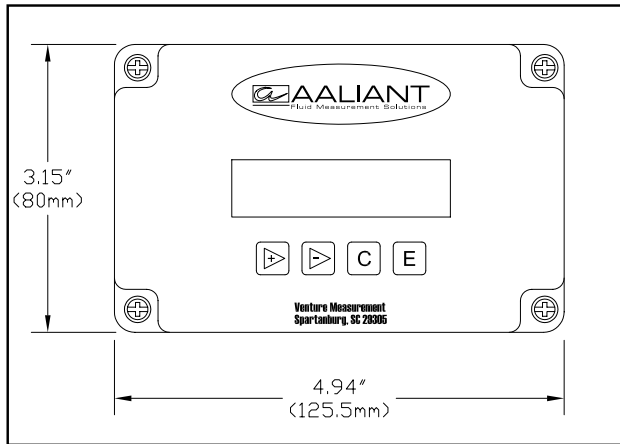


Figure 2. Front View

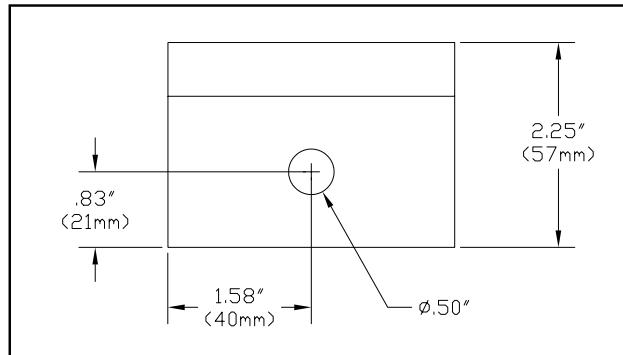


Figure 3. Left Side View