

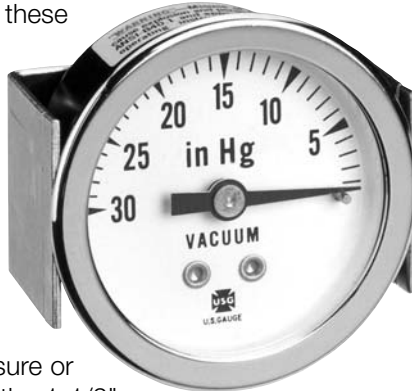
General Purpose Gauges

P-562K and V-562K Miniature Panel Mount Gauges

DESCRIPTION

Specially designed to conserve space, these gauges are available for panel mounting and are widely used on medical and dental equipment where panel space is limited.

Available in pressure or vacuum ranges, the 1-1/2" miniature panel mount is the smallest circular gauge available for this use. A special feature, the breakaway U-clamp, permits adjustment for panel thickness up to 0.14".



SPECIFICATIONS

CASE: Drawn steel with studs, black corrosion-resistant paint, furnished with U-clamp and nuts, zinc plated

RING: Brass, flanged (threaded) chrome plated finish

WINDOW: Polycarbonate

POINTER: Aluminum, black finish

DIAL: Steel, cupped, white background with black markings

MOVEMENT: Brass

BOURDON TUBE: Pressure ranges above 15 psi up to 600 psi are phosphor bronze, soft soldered; Vacuum, 15 psi and ranges 600 psi and above are beryllium copper, soft soldered below 600 psi and silver brazed at 600 psi and above

CONNECTION: 1/8-27 NPT CBM, brass

RANGE: 30" Hg VAC, through 2000 psi

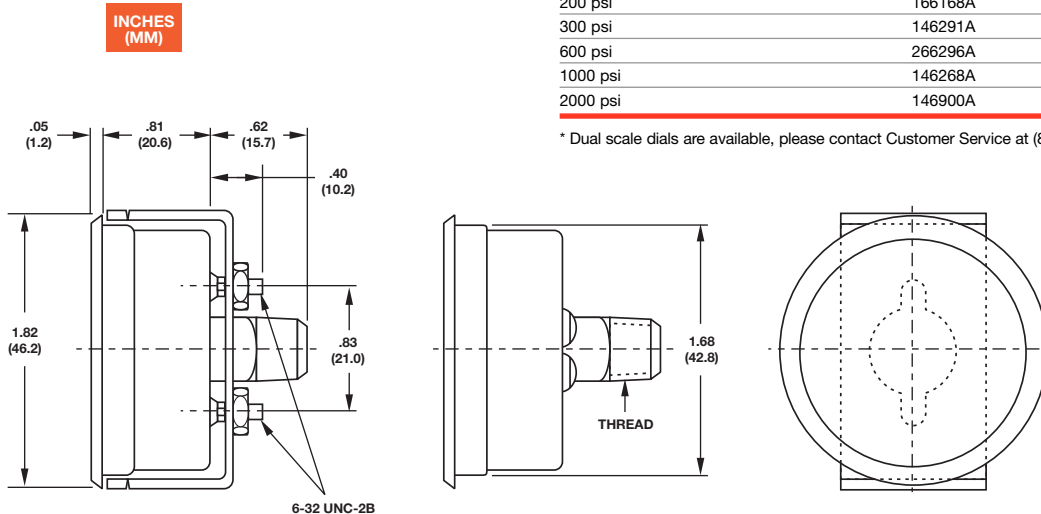
ACCURACY: ±3-2-3% of span (Grade B)

SPEC NUMBER SELECTION CHART

Model P-562UK

Range*	1-1/2" Spec No.
30" VAC	146245A
15 psi	146243A
30 psi	146244A
60 psi	146246A
100 psi	146259A
160 psi	146260A
200 psi	166168A
300 psi	146291A
600 psi	266296A
1000 psi	146268A
2000 psi	146900A

* Dual scale dials are available, please contact Customer Service at (863) 534-1504



© 2004, by AMETEK, Inc. All rights reserved. 704PDF (160126) Specifications are subject to change without notice. Visit our Web sites for the most up-to-date information.



For Gauges/Thermometers:

U.S. GAUGE
820 Pennsylvania Blvd.
Feasterville, PA 19053 U.S.A.
Tel: (215) 355-6900
Fax: (215) 354-1802
www.ametekusg.com

Customer Service Tel: (863) 534-1504
Customer Service Fax: (863) 533-7465

