

DESCRIPTION



ENCLOSURE

Powder Coated Steel

CLASSIFICATIONS

NEMA Type 4 IP66

TEMPERATURE RANGE

0 to 316°C (32 to 600°F)

CAPILLARY

Length	Material	Max. Bulb Temperature
3m (10ft.)	Incoloy 825	593°C (1100°F)

ELECTRICAL DATA

Load: 5 amp resistive @ 30 to 100VAC
Control Voltage: 120VAC

CALIBRATION ACCURACY

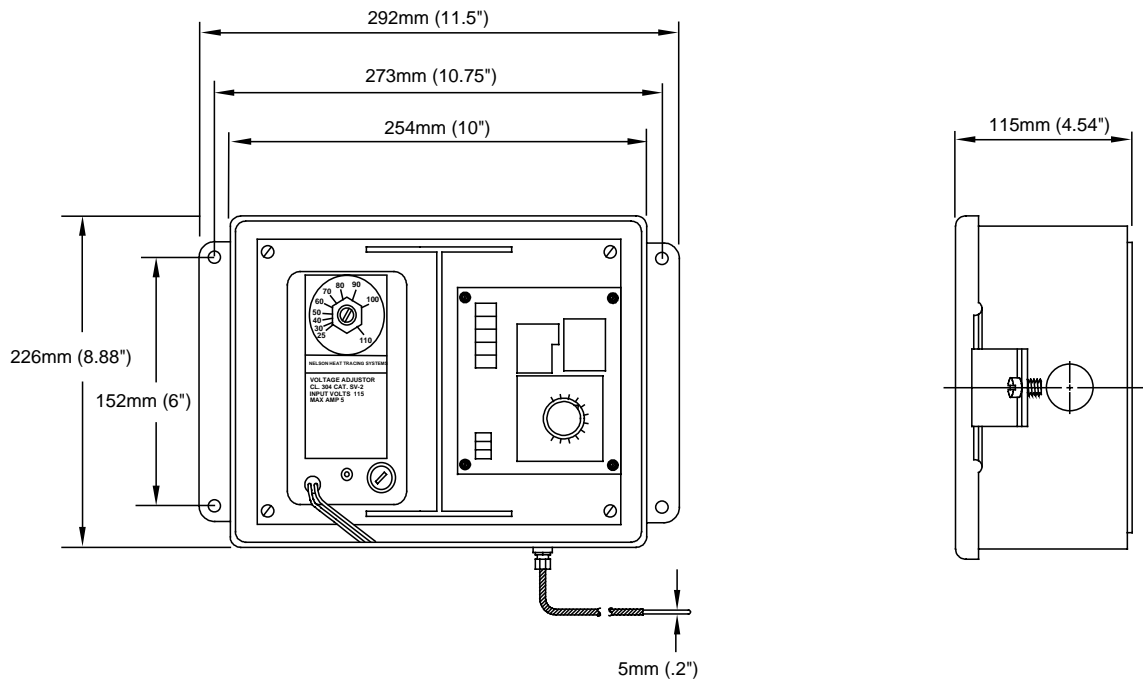
±1% of span

SWITCH TYPE

Single Pole Double Throw

These thermostats are used for high temperature piping on freeze protection and process maintenance applications in ordinary locations. For MI cable applications that require design voltages less than 120VAC, adjustable between 30 to 100VAC.

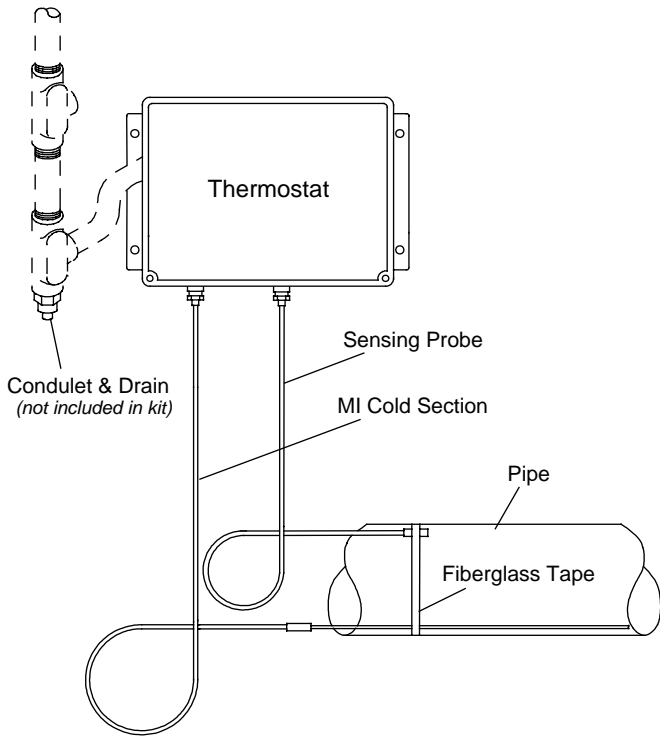
OUTLINE



Approvals:

FM - Ordinary Locations
CSA - Ordinary Locations

INSTALLATION



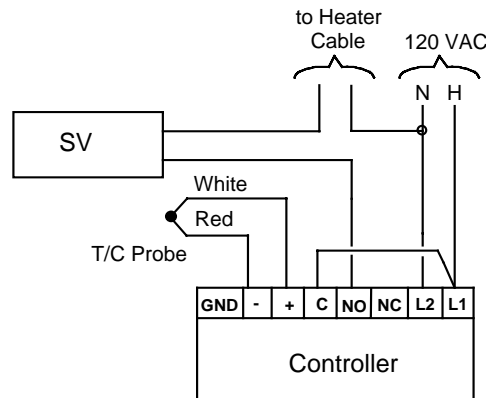
INSTALLATION NOTES:

- Securely mount thermostat enclosure and connect to power wiring.
- Verify thermostat set point is at the desired maintenance temperature.
- Reinstall enclosure cover to prevent damage from inclement weather.
- Route capillary tube in a manner that will protect it from damage.
- Insure all fittings associated with the power wiring are installed per applicable codes.
- When conduit type systems are used, low point drains / conduit drains are highly recommended.

ANNUAL MAINTENANCE:

Spray a coat of lubricant and rust preventative such as CRC Stor & Lube around the thermostat dial stem and electrical wire connections.

WIRING DIAGRAM



We are pleased to offer suggestions on the use of our products, nevertheless, there are no warranties given except such expressed warranties offered in connection with the sale of a particular product. There are no implied warranties of merchantability or of fitness for a particular purpose given in connection with the sale of any goods. In no event shall Nelson Heat Tracing Systems be liable for consequential, incidental or special damages. The Buyer's sole and exclusive remedy and the limit of Nelson's liability for any loss whatsoever shall not exceed the purchase price paid by the Purchaser for the product or products to which a claim is made.